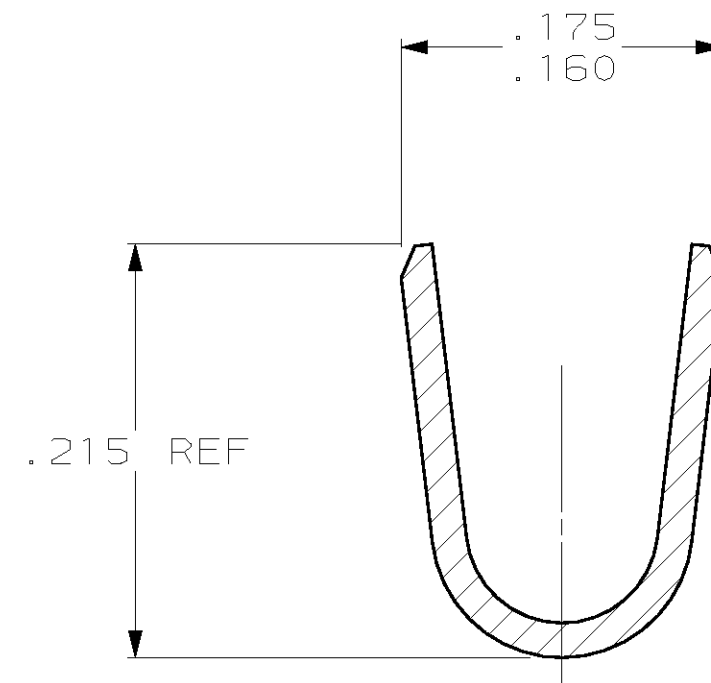
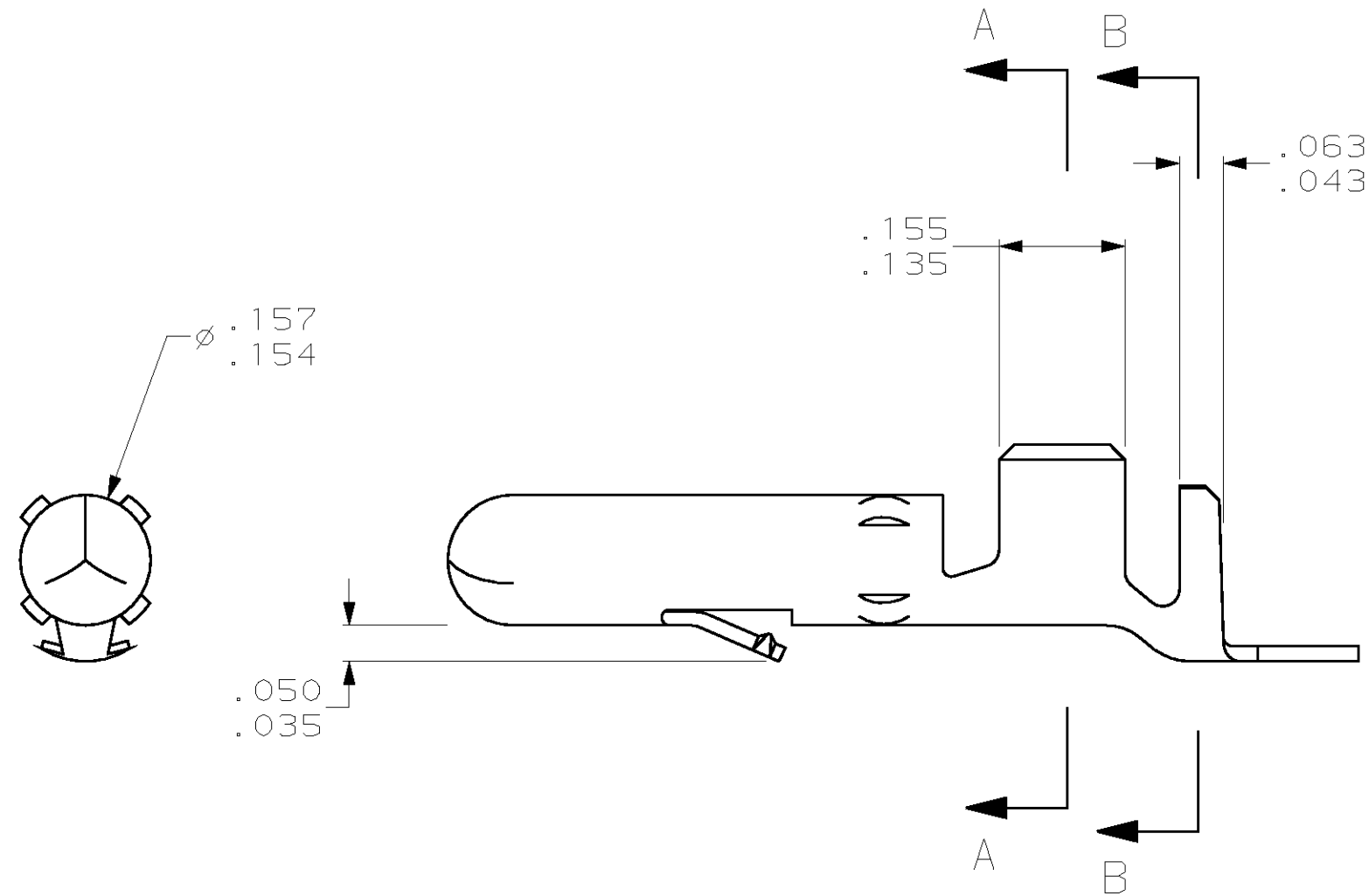
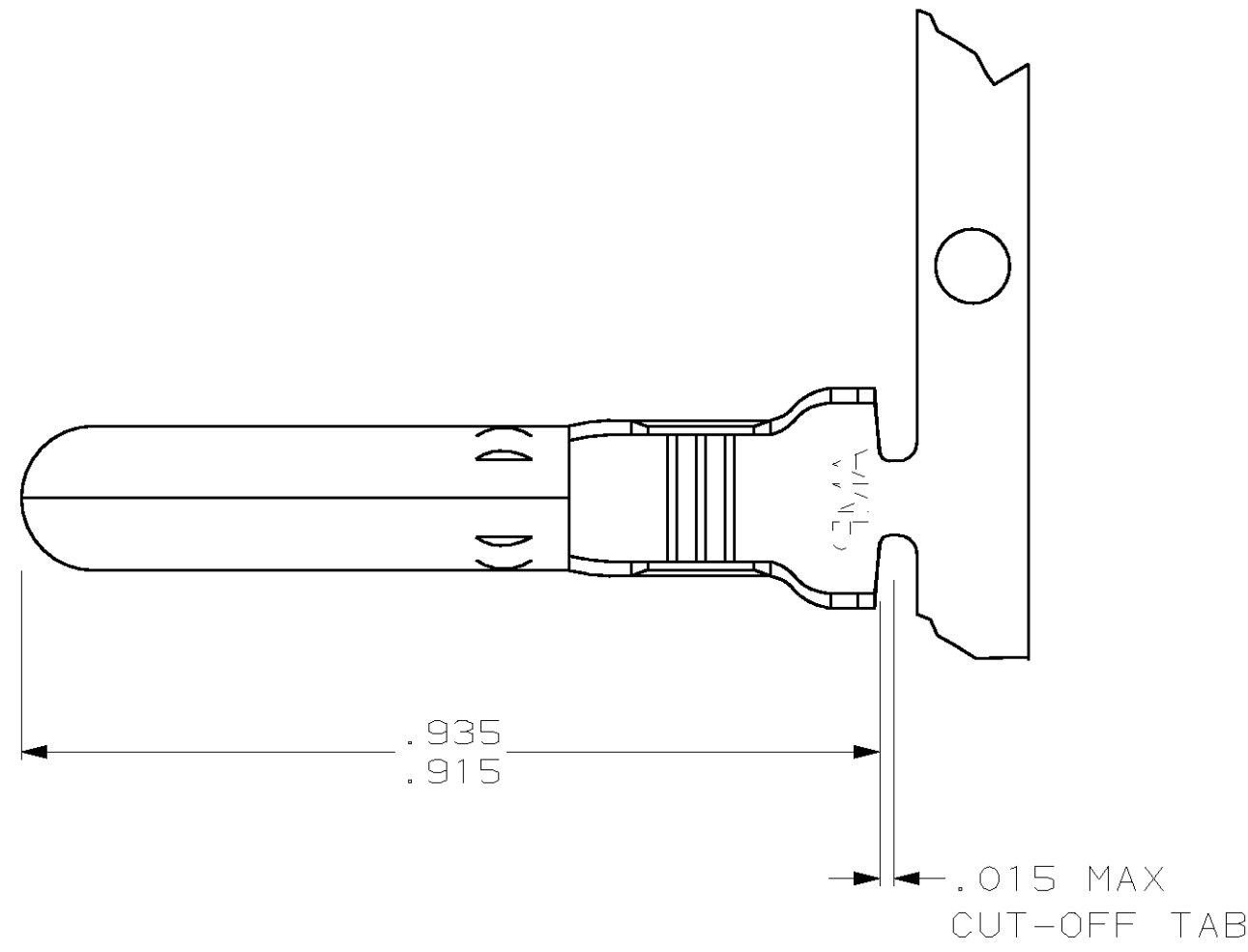


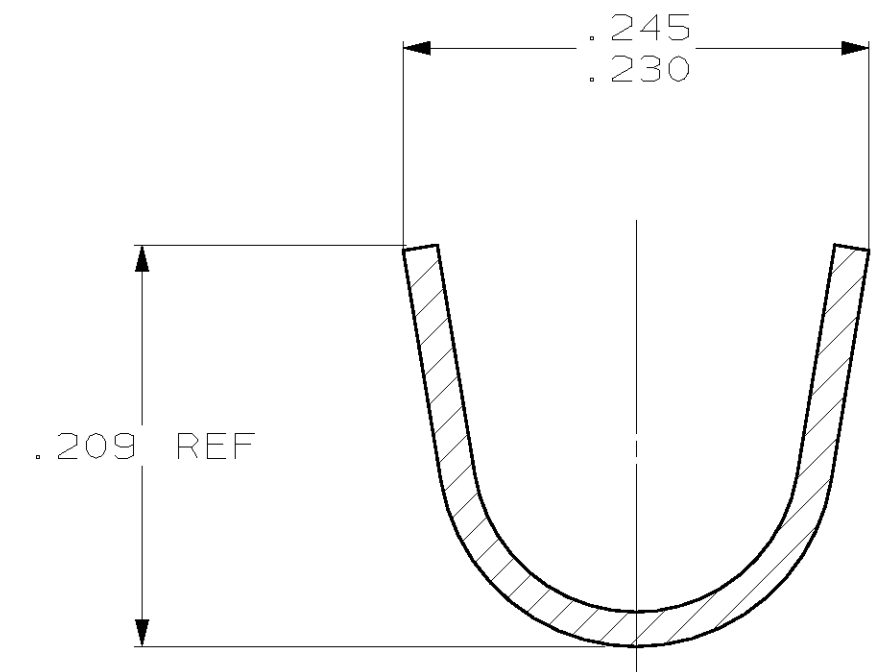
THIS DRAWING IS UNPUBLISHED. RELEASED FOR PUBLICATION .19
 (C) COPYRIGHT 19 BY AMP INCORPORATED. ALL RIGHTS RESERVED.

LOC	DIST	REVISIONS			
P	LTR	DESCRIPTION	DATE	DWN	APVD
CM	53				
	K	REV PER EC 061B-0063-99	27-APR-99	JH	RS

1. WIRE RANGE: 12-10 (3-6mm²) AWG
 INSULATION RANGE: .185 MAX.



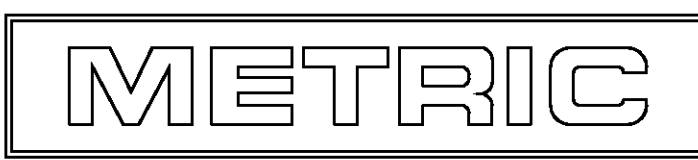
SECTION A-A
SCALE 10:1



SECTION B-B
SCALE 10:1

IN	MM	IN	MM	IN	MM	IN	MM
.050	1.27	.157	3.99	.230	5.84		
.043	1.09	.156	3.96	.215	5.46		
.035	0.89	.155	3.94	.209	5.31		
.018	0.46	.154	3.91	.185	4.70	.935	23.75
.015	0.38	.135	3.43	.175	4.45	.915	23.24
.005	0.13	.063	1.60	.160	4.06	.245	6.22
IN	MM	IN	MM	IN	MM	IN	MM

CONVERSION TABLE



TIN	.018 BRASS	61234-1
FINISH	MATERIAL	PART NO

THIS DRAWING IS A CONTROLLED DOCUMENT.		DWN	J. HUFFMAN	9-13-96	AMP Incorporated Harrisburg, PA 17105-3608	
DIMENSIONS: INCHES		CHK	R. SWING	9-13-96		
TOLERANCES UNLESS OTHERWISE SPECIFIED:		APVD	C. MARTIN	9-13-96		
0 PLC ±- 1 PLC ±- 2 PLC ±- 3 PLC ±.005 4 PLC ±- ANGLES ±-		NAME	PIN, .156 MATE-N-LOK™			
MATERIAL	SEE TABLE	FINISH	SEE TABLE	WEIGHT	-	
CUSTOMER DRAWING			SIZE	A2	CAGE CODE	00779
			DRAWING NO	C-61234		
			SCALE	5:1	SHEET	1 OF 1
			REV	K		

61234

A